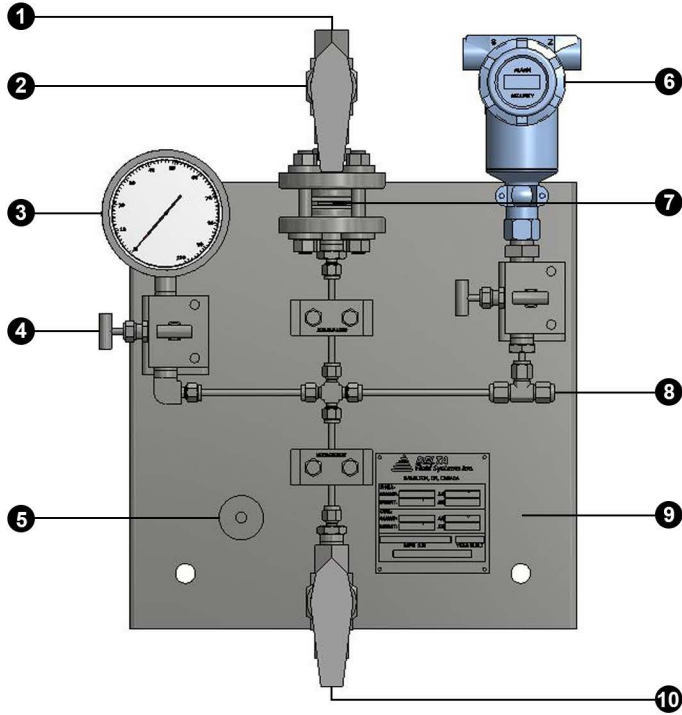
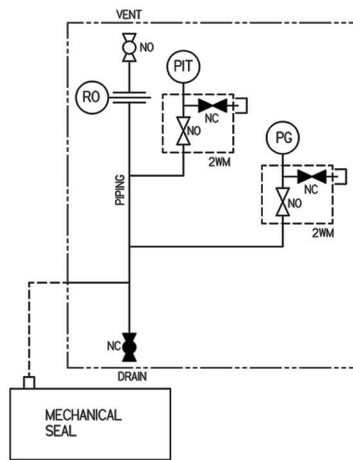


DFS - 76



Model Key

- | | |
|-------------------------|--------------------------|
| 1 - To Vent | 6 - Pressure Transmitter |
| 2 - Ball Valve On / Off | 7 - Paddle Orifice |
| 3 - Pressure Gauge | 8 - Buffer Gas In |
| 4 - Block & Bleed | 9 - Panel |
| 5 - Earthing Boss | 10 - Buffer Gas Out |



P&ID Key

- PIT - Pressure Transmitter
- PG - Pressure Gauge
- FM - Flow Meter
- NO - Normally Open
- NC - Normally Closed
- ⊘ - Ball Valve
- 2WM - Two Way Manifold

Description

API 682 Plan 76 is used to monitor the downstream vapour leakage from a dry running containment seal in a dual unpressurized mechanical seal arrangement which is sealing a non-condensing fluid.

The system will alarm with either a switch or transmitter at desired high pressure conditions. Plan 76 also allows the user to compare inlet to outlet pressures of the containment seal when operating in series to a Plan 72. The Plan 76 rigid pipe design is also utilized to manage vapors within the containment vessel of all Plan 75 systems.

Standard Design Features

- 1/4" Tubing
- 4.5" Dial Pressure Gauge
- Pressure Transmitter
- Paddle Orifice
- 3/4" Inlet / Outlet Connections
- Instrument Block & Bleed
- Panel Mount

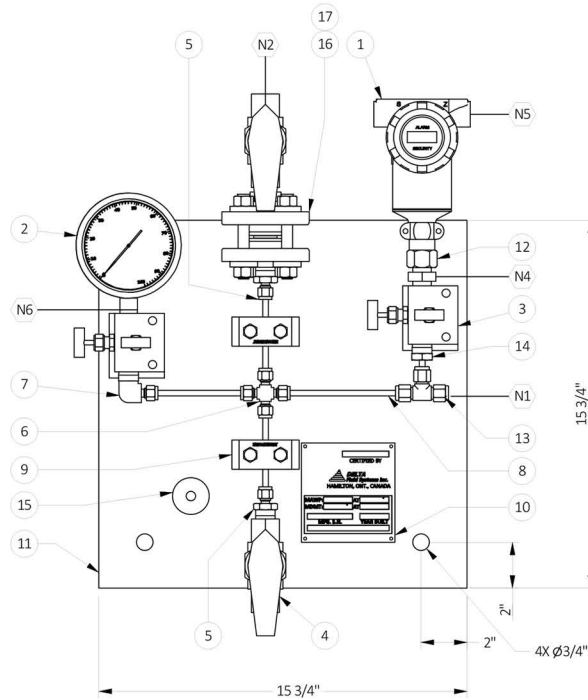
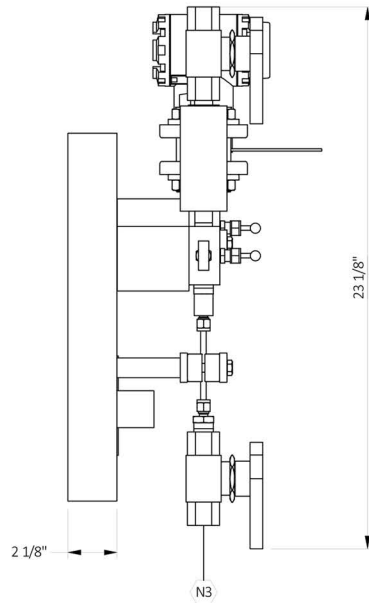
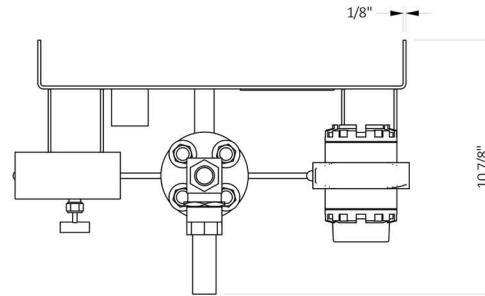
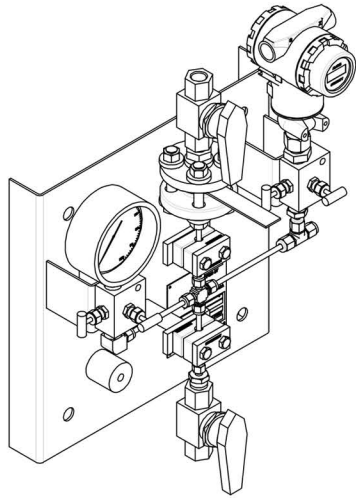
Optional Design Features

- Rigid Socket Weld Sch. 80 Pipe
- Flanged Connections
- Pressure Switch

Materials of Construction


Elements	Standard	Options
Fittings / Orifice	316 Stainless Steel (Wetted)	Application Specific
Pressure Transmitter / Switch	316 Stainless Steel (Wetted)	Application Specific
Tubing	316 / 316L Stainless Steel	Application Specific
Panel	Painted Carbon Steel	304 / 316 Stainless Steel

*All materials used per ASME Section VIII Div. 1



PARTS LIST			
#	QTY	DESCRIPTION	MATERIAL
1	1	PRESSURE TRANSMITTER 1/2" NPTF	316 SS
2	1	PRESSURE GAUGE (4 1/2" DIAL) 1/2" NPTM	316 SS
3	2	TWO VALVE MANIFOLD 1/2" NPTF	316/316L SS
4	2	BALL VALVE 1/2" NPTF	316/316L SS
5	2	MALE CONNECTOR 1/2"NPTMX1/4"OD.	316/316L SS
6	1	CROSS 1/4"OD	316/316L SS
7	1	MALE ELBOW 1/2"NPTMX1/4"OD	316/316L SS
8	1	TUBE 1/4"ODX0.028"THK.	316/316L SS
9	2	TUBE SUPPORT 1/4"OD	
10	1	NAME PLATE	316 SS
11	1	PANEL-PAINTED	CS
12	2	HEX NIPPLE 1/2" NPTM	316/316L SS
13	1	UNION TEE 1/4"OD	316/316L SS
14	1	MALE ADAPTOR 1/2"NPTMX1/4"OD	316/316L SS
15	1	EARTHING BOSS	CS
16	1	ORIFICE PLATE 1/2"-#600-RF	316/316L SS
17	1	3/4" RF NPT 600# FLANGE	316/316L SS

NOZZLE CONNECTION TABLE			
#	QTY	DESCRIPTION	SIZE
N1	1	FROM SEAL	1/4"
N2	1	TO VENT	1/2" NPTF
N3	1	DRAIN	1/2" NPTF
N4	1	PRESSURE TRANSMITTER PROCESS	1/2" NPTF
N5	2	PRESSURE TRANSMITTER ELECTRICAL	1/2" NPTF
N6	1	PRESSURE GAUGE PROCESS	1/2" NPTM

DRAWN: J. HOWE	12-Jun-14	 DELTA FLUID SYSTEMS INC.
CHECKED:		
APPROVED:		
UNLESS OTHERWISE SPECIFIED DIMENSIONS ARE IN INCHES +/- 1/8" ANGLE +/- 1°		CLIENT: _____
		PROJECT: _____ ORDER #: _____
		TITLE: API 682 PLAN 76 GAS PANEL
		DWG No.: GP76-0000 REV 0

* REFERENCE DRAWING ONLY
 * BASIC MODEL SHOWN - CONFIGURATION TO CUSTOMERS REQUEST